

EBR-PLG-DALIG64

Modular DALI lighting control module

Overview



The EBR-PLG-DALIG64 is a pluggable Rapid lighting control module (LCM) designed for controlling 64 addressable DALI devices such as fluorescent or LED lighting ballasts. It also has 1 switch input.

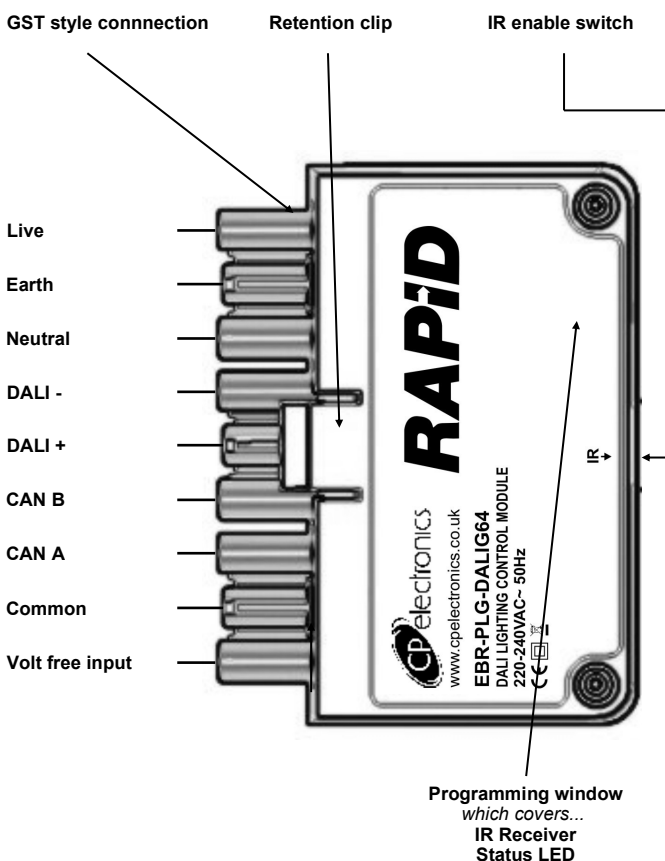
The LCM has 9 male GST style connections for the mains, switch input, DALI and Rapid CAN bus. This unit is designed to be used in conjunction with modular wiring systems.

Used in conjunction with our range of DALI presence detectors a single DALI cable can be run to digitally control all the lighting and power the sensors. This saves time and money on additional specialist cable. It is ideal for chilled beam, continuous run lighting, and core areas.

Please speak to our technical team for further information.

Features

Front features



Mains connections

- Live, Earth, Neutral.

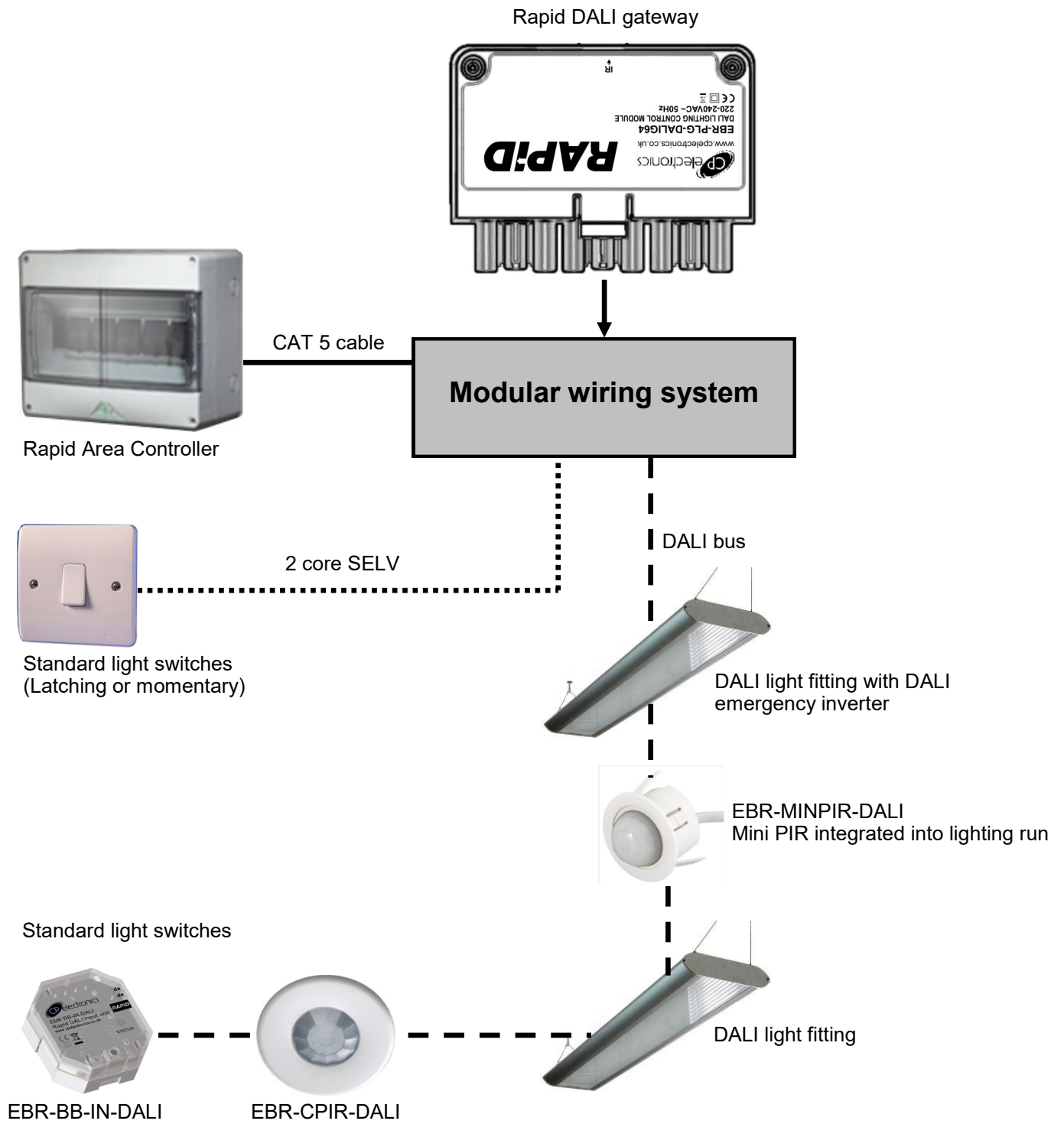
SELV switch inputs

- 1 SELV switch input.

Communication connections

- Rapid bus
- DALI connections

System wiring example



Devices (detectors / input units) and ballast combinations for 200mA supply.

This assumes that the sensor LEDs are all on, and the sensor is receiving IR communication.

- 4 devices and up to 64 ballasts
- 5 devices and up to 55 ballasts
- 6 devices and up to 44 ballasts
- 7 devices and up to 33 ballasts
- 8 devices and up to 22 ballasts
- 9 devices and up to 12 ballasts
- 10 devices and up to 2 ballasts

In most realistic scenarios, only one LED is on at a time and only one detector is receiving IR; guidance changes to.

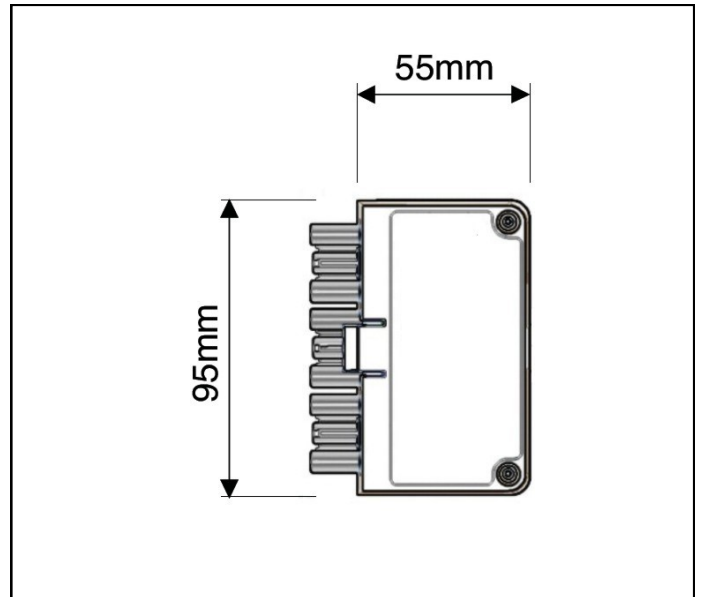
- 10 devices up to 64 ballasts
- 11 devices up to 60 ballasts
- 12 devices up to 55 ballasts
- 13 devices up to 50 ballasts
- 14 devices up to 48 ballasts
- 15 devices up to 44 ballasts

Addressing limits of DG64

- 5 input units of 7 channels each
- 10 detectors

Technical data

Dimensions	See diagrams opposite	
Weight	0.40kg	
Supply Voltage	220 - 240VAC	
Frequency	50Hz	
DALI Voltage	16VDC via DALI	
DALI Output Current	250mA (maximum)	
DALI bus	Cannot be considered as SELV since DALI, ballasts only offer basic insulation, therefore all devices on the DALI bus must be wired as if carrying mains potential.	
Temperature	-10°C to 35°C	
Humidity	5 to 95% non-condensing	
Material (casing)	Flame retardant ABS and PC/ABS	
Classifications	Insulation	Class II
	Purpose	Operating control
	Construction	Incorporated control
	Software class	Class A
	Pollution	Degree 2



Compliance EMC-2014/30/EU
LVD-2014/35/EU



For further compliance information visit
www.cpelectronics.co.uk/compliance

Important

For lighting purposes only with suitable circuit protection. For fixed wiring only.

Part numbers

	Part number	Description
Control module	EBR-PLG-DALIG64	Pluggable DALI lighting control module
Detectors	EBR-CPIR-DALI	DALI network ceiling PIR with photocell
	EBR-MINPIR-DALI	DALI network miniature PIR with photocell
Accessories	UNLCDHS	Universal LCD programming handset

IMPORTANT NOTICE!

This device should be installed by a qualified electrician in accordance with the latest edition of the IEE Wiring Regulations and any applicable Building Regulations.



C.P. Electronics Ltd

Brent Crescent
London
NW10 7XR
United Kingdom
Tel: + 44 (0) 333 900 0671
Fax: + 44 (0) 333 900 0674
www.cpelectronics.co.uk
enquiry@cpelectronics.co.uk